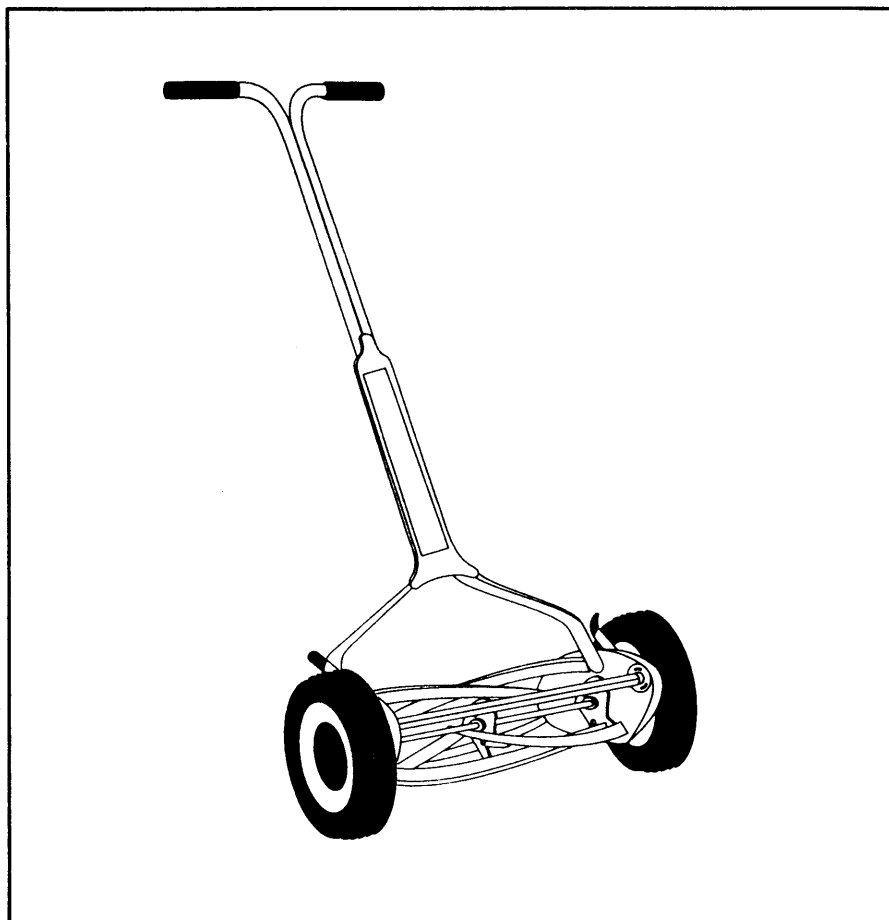


# OWNERS MANUAL

**Model No.  
45-01931**

**CAUTION:**  
Read Rules for  
Safe Operation  
and Instructions  
Carefully



## 18" PUSH REEL MOWER

- Assembly
- Operation
- Maintenance
- Parts

# RULES FOR SAFE OPERATION

1. Read the operating and Service Owner's Manual carefully. Be thoroughly familiar with the proper use of the equipment.
2. Never allow children to operate mower. Only persons well acquainted with these rules of safe operation should be allowed to use your mower.
3. Keep the area of operation clear of all persons, particularly small children and pets. Although the area of operations should be completely cleared of foreign objects, a small object may have been overlooked and could be accidentally thrown by the mower.
4. Thoroughly inspect the area where the equipment is to be used and remove all stones, sticks, wire, bones and other foreign objects which could be picked up and thrown by the mower.
5. Do not operate equipment when barefoot or wearing open sandals. Always wear substantial footwear.
6. Mow only in daylight or in good artificial light.
7. Never operate the equipment in wet grass. Always be sure of your footing; keep a firm hold on the handle and walk, never run.
8. When cleaning, repairing or inspecting, make certain the blade and all moving parts have stopped.
9. Before attempting to unclog the mower, be sure the blades have stopped completely.
10. Mow across the face of slopes, never up and down. Exercise extreme caution when changing direction on slopes. Do not mow excessively steep slopes.
11. Keep all nuts, bolts and screws tight to be sure the equipment is in safe working condition.



**LOOK FOR THIS SYMBOL TO POINT OUT IMPORTANT SAFETY PRECAUTIONS. IT MEANS--ATTENTION! BECOME ALERT! YOUR SAFETY IS INVOLVED.**



**CAUTION: THE MOWER BLADES HAVE SHARP EDGES. KEEP HANDS AND FEET CLEAR!! USE CARE WHEN ADJUSTING OR CLEANING THE MOWER.**

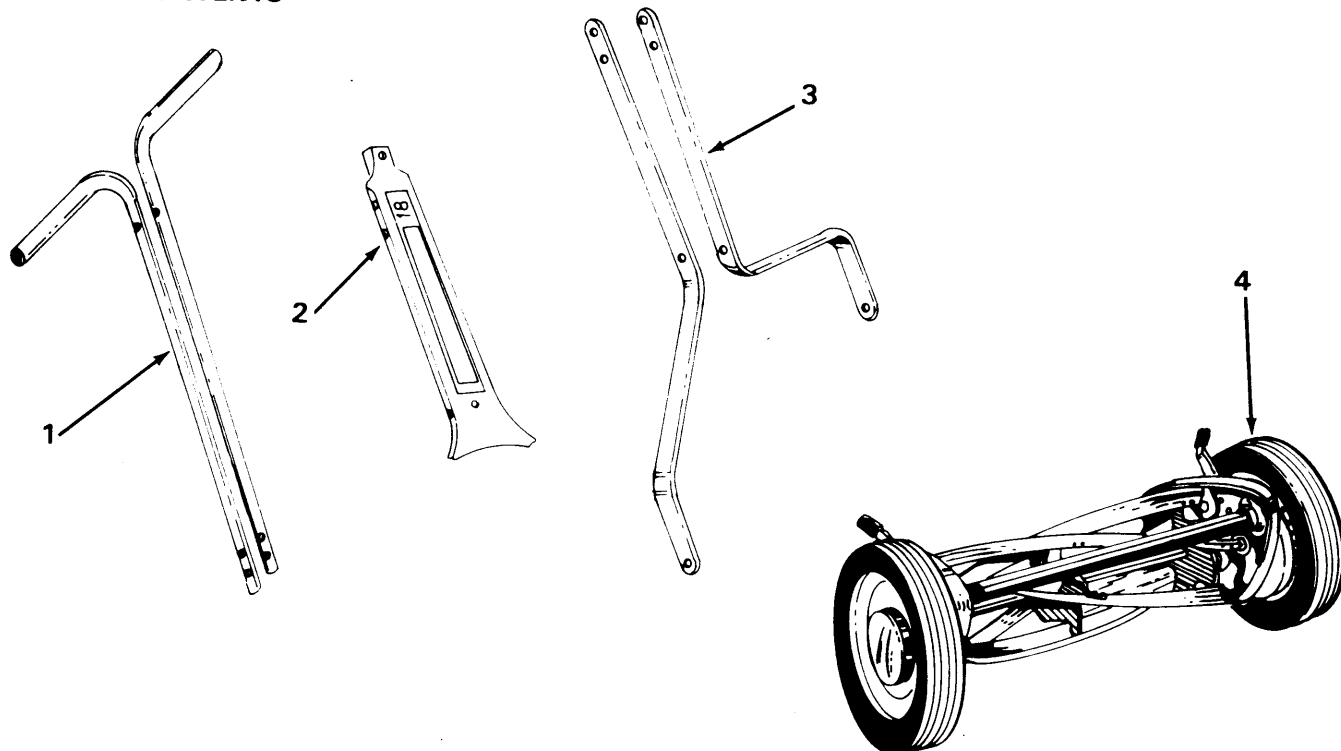
Your 18" push reel mower carton contains parts as shown in the figure below. The hardware package contains parts shown in figure 1 on page 3. Identify all parts and lay out as shown in figure below and in figure 1.

## CARTON CONTENTS

### LOOSE PARTS IN CARTON

1. Upper Handle (2)
2. Handle Panel
3. Handle Brace (2)
4. Reel Assembly
5. Hardware Package (not shown)

### CARTON CONTENTS



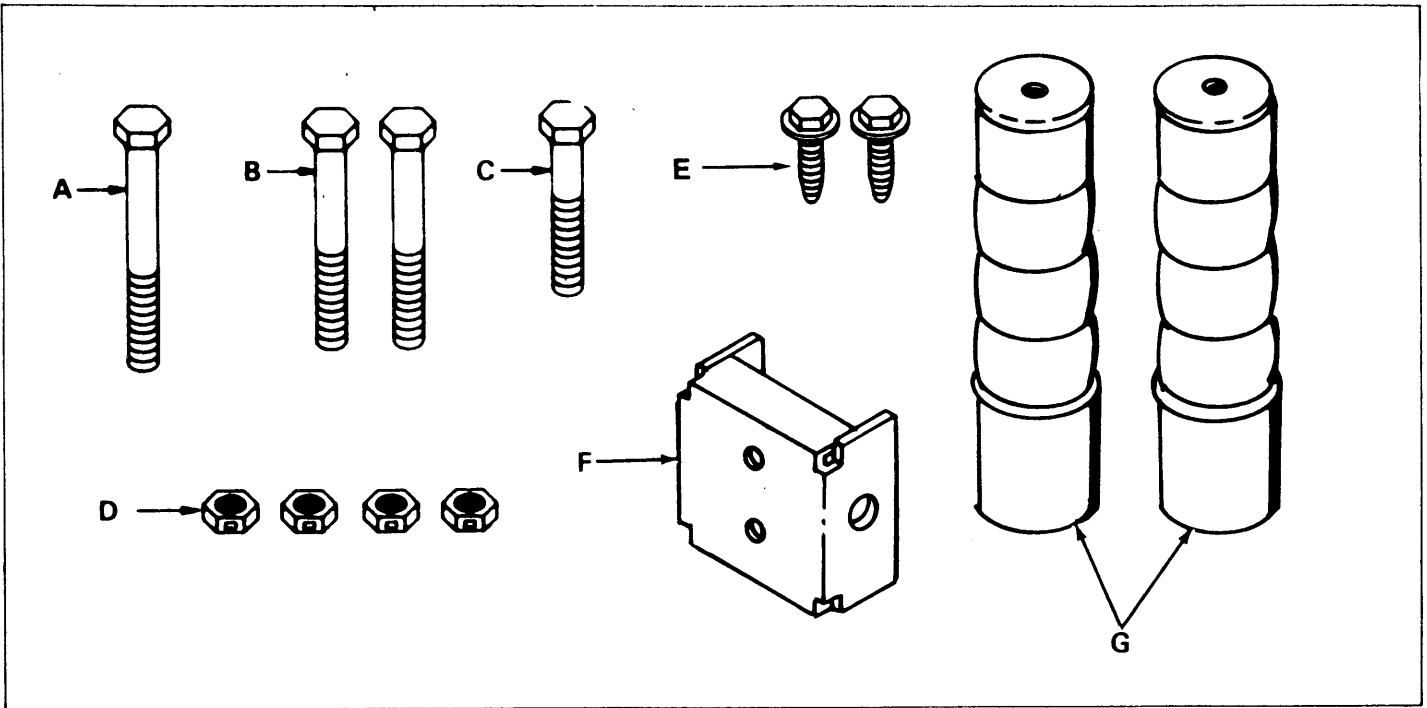
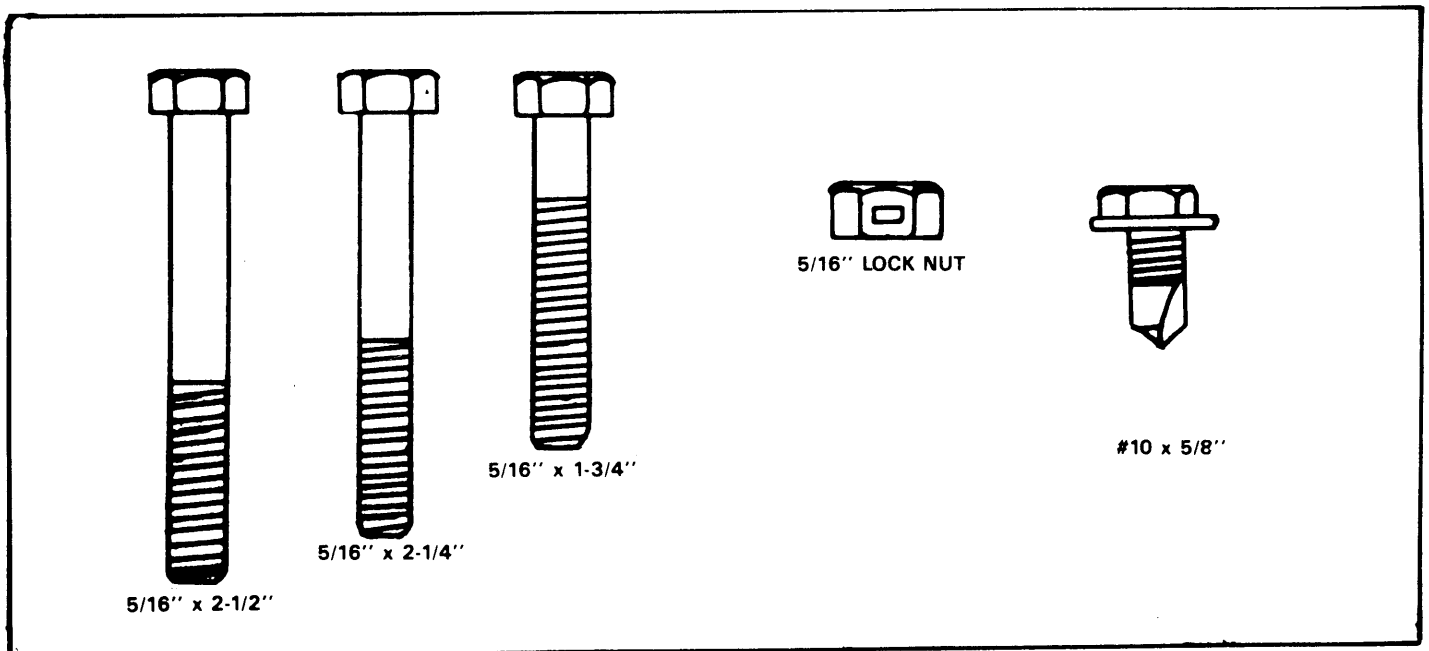


FIGURE 1 — HARDWARE PACKAGE

Key	Qty	Description	Key	Qty	Description
A	1	Hex Bolt 5/16''-18 x 2-1/2'' Lg.	E	2	Hex Washer Hd. Screw #10 x 5/8'' Lg.
B	2	Hex Bolt 5/16''-18 x 2-1/4'' Lg.	F	1	Handle Brace Spacer
C	1	Hex Bolt 5/16''-18 x 1-3/4'' Lg.	G	2	Handle Grip
D	4	Hex Lock Nut 5/16''-18 Thd.			



FULL SIZE HARDWARE REFERENCE CHART